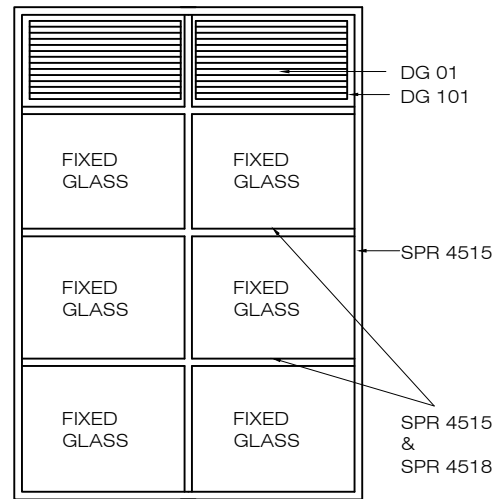
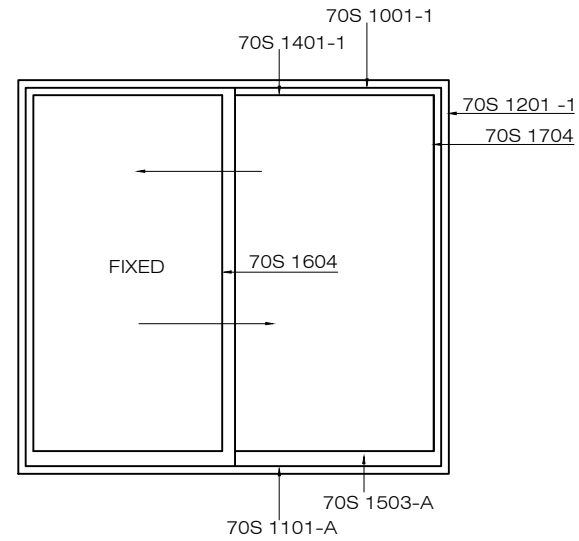


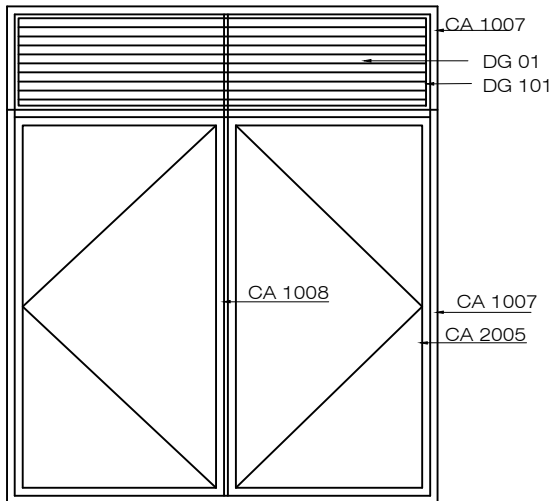
SWING DOOR



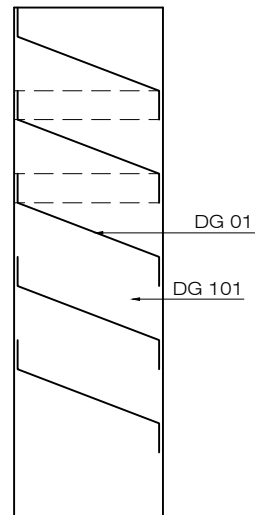
FIXED GLAZED WINDOW



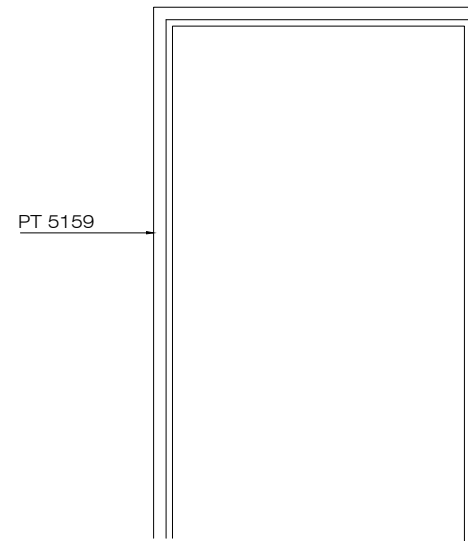
SLIDING WINDOW



CASEMENT WINDOW



LOUVER SECTION



DOOR FRAME

REV.	DESCRIPTION	DATE
01		23.11.2004



CEYLON PETROLEUM CORPORATION

ENGINEERING PROJECT,
109, ROTUNDA TOWER
COLOMBO - 3.
T.P.NO: 544296,473644
FAX NO: 473979

PROJECT:

PROPOSED RE-STRUCTURING OF
LANKA FILLING STATION

TITLE:

DETAIL OF ALUMINIUM
EXTRUSIONS

DESIGN ENGINEER

I. M. GODAGE

DRAWING NO: CEYPET/ENG/SK/0032

SCALE: NOT TO SCALE | DATE: 17.06.05

DRAWN BY : SASHIKA

CHECKED BY:

APPROVED BY: